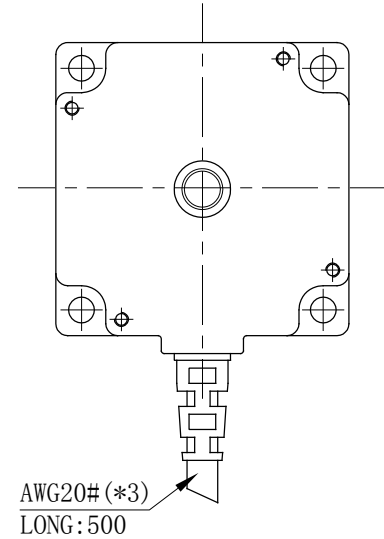
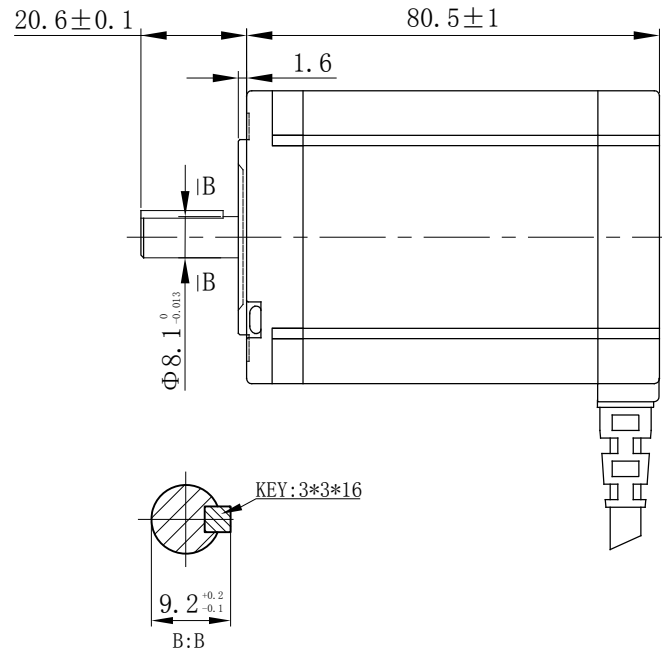
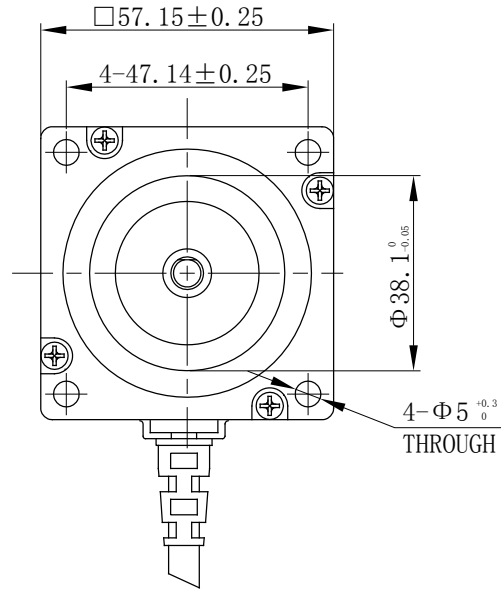


尺寸/Dimensions 单位/Unit=mm

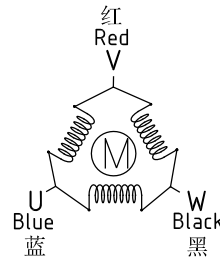
RoHS COMPLIANT



电动机规格书/Motor Specification

步进角/STEP ANGLE	1.2°
相数/NO. OF PHASES	3
额定电压/RATED VOLTAGE	5.22 V
额定电流/RATED CURRENT	5.8 A
电阻/RESISTANCE	0.9 Ω ± 15% AT 25° C
电感/INDUCTANCE	1.8 mH ± 20% AT 1kHz, 1V <sub>rms</sub>
保持力矩/HOLDING TORQUE	2.5N.m (oz. in) 以上/MIN. 注/NOTE
绝缘耐压/DIELECTRIC STRENGTH	500V A.C 1分钟/MINUTE
绝缘电阻/INSULATION RESISTANCE	100 MΩ 以上/MIN.
绝缘等级/INSULATION CLASS	CLASS B
温度上升/TEMPERATURE RISE	80K MAX. 注/NOTE )
转子惯量/ROTOR INERTIA	≈520g. cm <sup>2</sup>
重量/WEIGHT	≈1.1Kg
允许轴向负载/ALLOWABLE THRUST LOAD	75N
允许径向负载/ALLOWABLE RADIAL LOAD	250N (ON THE SHAFT END)
运行环境温度/OPERATION AMBIENT TEMP	0° C---+50° C
运行环境湿度/OPERATION AMBIENT HUM	20%---90%
寿命/LIFE	5000 HOURS

接线图/Wiring Diagram



励磁顺序 (2相励磁) /Phase Sequence(2 Phase Exciting)

CW ↓	STEP	A	B	$\bar{A}$	$\bar{B}$	↑ CCW
	1	+	+	-	-	
	2	-	+	+	-	
	3	-	-	+	+	
	4	+	-	-	+	

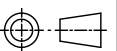
从安装面看为顺时针方向 CLOCKWISE VIEW FROM MOUNTING SIDE

型号/Model

SS2303C58A

SAMSR MOTOR

第三角画法  
First Angle View



F					批准 Approved	审核 Checked	设计 Designed	材 质 Material	-----	
E					SAMS MOTOR 19-12-23 柳芝	SAMS MOTOR 19-12-23 邹志林	SAMS MOTOR 19-12-20 赖芳芳	表面 Finish	-----	
D				公差 Tolerance				±0.2	NO.	056217
C				设计 Designed				日期 Date	制图 Drawn	WY
B								比例 Scale	1:2	
A								页 Sheet	1/1	
版本 Edition			初版/First Edition 变更内容 Revisions							